

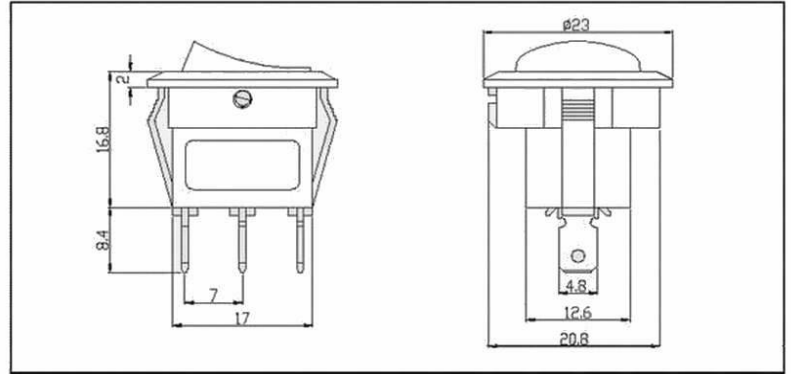
777 Rocker Switch



777-3VBH-00Q



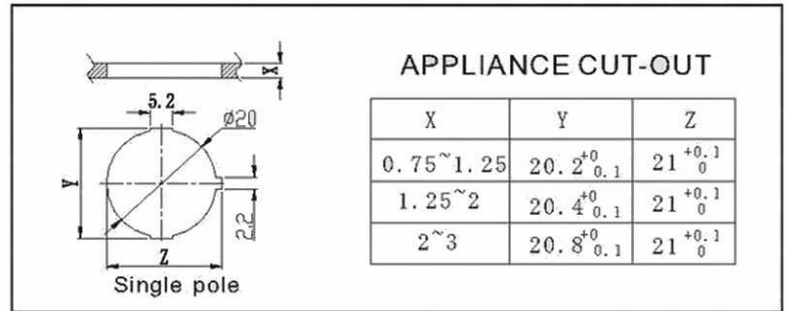
777-1VBH-20G



777-6VBH-20G



777-1VBH-00G

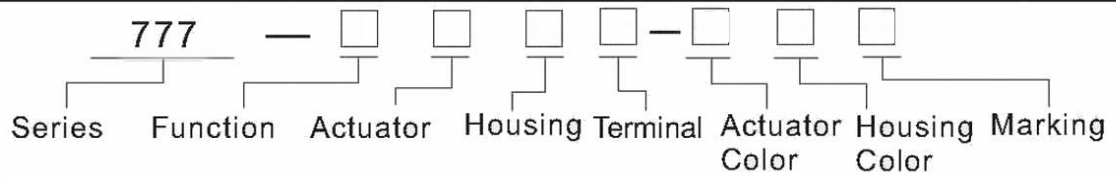


Widely used in Juicer, Coffee Maker, Stirrer, etc appliances

Technical parameters

Electrical parameters	12A125VAC 12A250VAC 12(4)A250VAC T90/55 1E4
Electrical life	10000 cycles
Mechanical life	50000 cycles
Contact resistance	≤20mΩ
Insulation resistance	> 100mΩ
Voltage withstand	1500Vac
Ambient temperature	0-90℃
Flammability	UL94V-0
Fire resistance	850℃
Housing and Cap material	PA66
Contact material	Silver Alloy
Terminal material	Copper Alloy
Approval Certification	UL, VDE, SEMKO

How to order



Function(1)			
Function		Circuitry	Code
ON-OFF	2 Pins		1
ON-ON	3 Pins		2
ON-OFF-ON	3 Pins		3
(ON)-OFF	2 Pins		4
ON-(OFF)	2 Pins		5
ON-OFF with Lamp	3 Pins		6
(ON)-OFF with LED	4 Pins		7
ON-OFF-(ON)	3 Pins		9
(ON)-OFF-(ON)	3 Pins		13

Terminal(3)			
Terminal	Versions		Code
Quick-connect terminal 4.8X0.8mm			H

Actuator(2)		
Actuator Shape	Versions	Code
Arc actuator		V
Lit window actuator		M
LED window actuator		F

Housing(3)		
Housing	Versions	code
Rotundity		A
Rotundity with big wedge		B
Rotundity with small wedge		B1

Actuator Marking(4)			
Versions	Code	Versions	Code
	G	ON OFF	R
	P		Q