

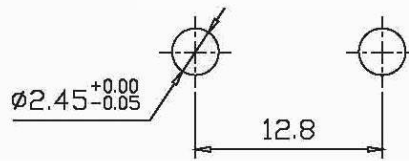
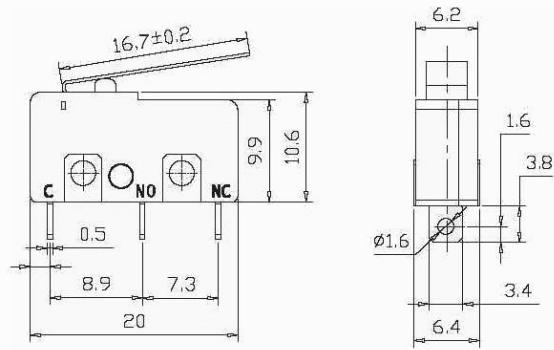
# MICRO SWITCH



7303-1A1S-12



7303-1D1S-12

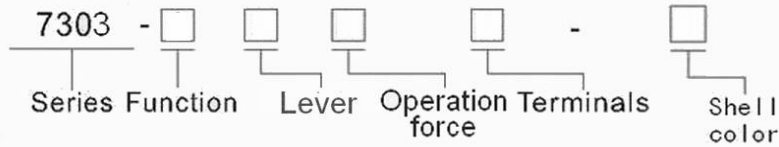


Widely used in Juicer, Coffee Maker, Stirrer, etc appliances

## Technical parameters

Electrical parameters	10A125Vac 6A250Vac 3(3)A250Vac T125 5E4/8(2)250Vac 1E4
Electrical life	50000 cycles
Mechanical life	50000 cycles
Contact resistance	$\leq 20\text{m}\Omega$
Insulation resistance	$> 100\text{m}\Omega$
Voltage withstand	1500Vac
Ambient temperature	0-125°C
Flammability	V-0
Fire resistance	850°C
Housing and Cap material	PA66
Contact material	Silver Alloy
Terminal material	Brass Alloy
Approval Certification	SEMKO, ENEC, UL

# How to order



Function option		
Function	Circuitry	Code
SPDT CHANGE	3 Pins	1
SPST NORMAL OPEN	2 Pins	2
SPST NORMAL CLOSE	2 Pins	3

Operation Force option	
Operation Force	Code
90±50gf	1
150±50gf	2
260±60gf	3

Terminal option		
Terminals	Versions	Code
Solder Terminals 3.4 x 0.5mm		S
Quick-connect Terminals 2.8x0.5mm		L
PCB Terminals 1.2 x 0.5mm		R
PCB Terminals 0.8 x 0.5mm		F

Shell color option	
Color	Code
Black	1
Gray	2

Lever option		
Actuator	Versions	Code
Square Push button		B0、B5
Mushroom head Push button		B2、B3
Incline Push button		B4
Cant Push button		B1
Straight Handle with different length		A
With roller Handle		D
Bending Handle		C
Bending Handle		R
Bending Handle		G1、G2
Bending Handle		H
Bending Handle		L
Bending Handle		H2